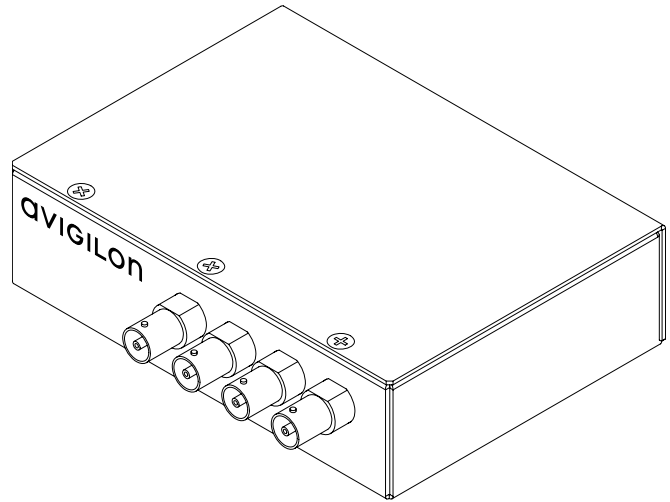


# 4-Port Analog Video Encoder



## Description

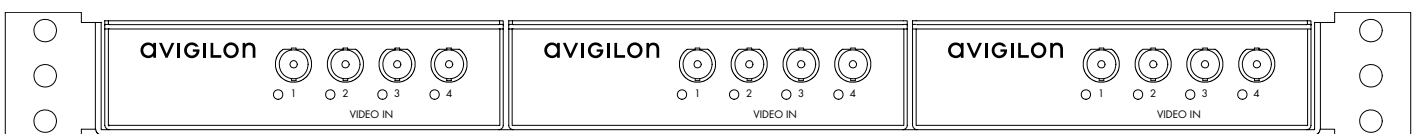
The Avigilon 4-port analog video encoder is designed to integrate legacy analog cameras into a High Definition IP surveillance system. It transmits images over 100BASE-TX using advanced JPEG2000 progressive compression technology.

The encoder supports NTSC and PAL video standards and Composite, Component, and S-Video formats. The encoder includes an RS-485 interface for PTZ support and an external I/O interface for connecting alarms and relays.

The encoder seamlessly integrates with Avigilon Control Center NVMS and High Definition NVRs using standard network equipment creating a network based surveillance solution with unmatched performance, ease of use, and ease of installation. Encoder power is provided by either Power over Ethernet, 12 VDC, or 24 VAC.

## Features

- Max resolution 720 x 480 (NTSC) or 720 x 576 (PAL)
- 30 images per second from each port for a total of 120 images per second from all 4 ports
- Lossless JPEG2000 compression
- Power over Ethernet, 24 VAC or 12 VDC power input
- External I/O and RS-485 interface
- Automatically obtains IP address and connects to Avigilon Control Center NVMS
- Rackmount kit allows 3 encoders in 1U of rackspace
- Support for PTZ and dome cameras



\*1U rack mountable bracket is sold separately

# Specifications

## Encoder

Channels	4
Video Standard	NTSC PAL
Video Format	Composite Video S-Video (uses 2 channels) Component Video (uses 3 channels)
Video Input	BNC 1.0 Vpp with 75 Ohm selectable termination
Max Resolution (per channel)	720 (H) x 480 (V) NTSC 720 (H) x 576 (V) PAL
Image Compression Method	JPEG2000
Image Rate (per channel)	30 NTSC 25 PAL
Motion Detection	Selectable sensitivity and threshold
External I/O Terminals	4 Alarm In, 4 Alarm Out, RS-485

## Network

Network	100BASE-TX
Cabling Type	CAT5
Connector	RJ-45
Security	SSL
Protocol	UDP, TCP, SOAP, DHCP, Zeroconf

## Mechanical

Dimensions (LxWxH)	140 mm x 122 mm x 44 mm 5.5" x 4.8" x 1.7"
Weight	0.62 kg (1.4 lbs)

## Electrical

Power Source	VDC: 12-24 V VAC: 24 V PoE: IEEE802.3af Class 3 compliant
Power Consumption	8 W
Power Connector	2-pin terminal block

## Environmental

Operating Temperature	-10 °C to +50 °C (14 °F to 122 °F)
Storage Temperature	-10 °C to +70 °C (14 °F to 158 °F)
Humidity	20 - 80% Relative humidity (non-condensing)

## Certifications

CE, Class A
FCC, Class A

## Ordering Information

ENC-4PORT	4-Port Analog Video Encoder
ENC-BRK1U	1U EIA (19") Rack Mountable Bracket For 3 ENC-4PORTs

# Outline Dimensions

